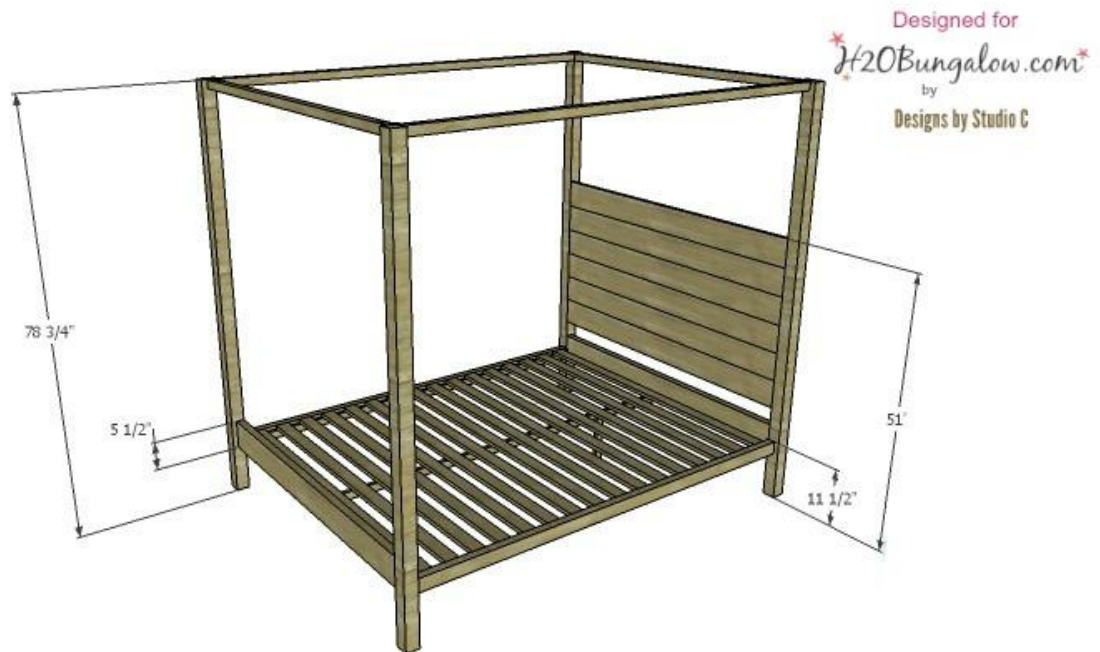


Contemporary DIY Four Poster Bed



Here are a few housekeeping items before you start that will make this project even easier to tackle. First, this bed needs to be assembled in the space in the bedroom it will be in. The assembled parts are larger than a doorway. I stained and waxed my wood pieces before assembling. Since the wood was already finished, I placed a heavy moving blanket on the floor to protect the wood from scratches.

Time to complete: 2-3 days

Lumber:

2 - 1" x 2" x 8ft poplar

16 - 1" x 3" x 6ft poplar

2 - 2" x 2" x 6ft poplar

6 - 1" x 6" x 6ft maple

3 - 2" x 2" x 8ft maple

2 - 2" x 3" x 8ft maple

2 - 2" x 6" x 6ft maple

4 - 3" x 3" x 8ft maple

Materials:

Pocket screws 1 ¼

Pocket screws 2 "

Wood screws 1 ¼ "

Wood screws 1 ½ "

Wood glue

Sand paper

Stain or paint to finish

Cut List:

Maple

4 - 3" x 3" at 78 ¾" bed posts

2 - 2" x 2" at 60 ½" top rails

2 - 2" x 6" at 60 ½" footboard and lower headboard planks

6 - 1" x 6" at 60 ½" headboard planks

2 - 2" x 2" at 80 ½" upper rails

2 - 2" x 4" at 80 ½" lower side rails

Poplar

2 - 1' x 2' at 80 ½" slat cleat

1 - 2' x 2' at 80 ½" center support

1 - 2" x 2" at 9 ¼" center support legs

16 - 1" x 3" at 60 ½" slats

Preparation

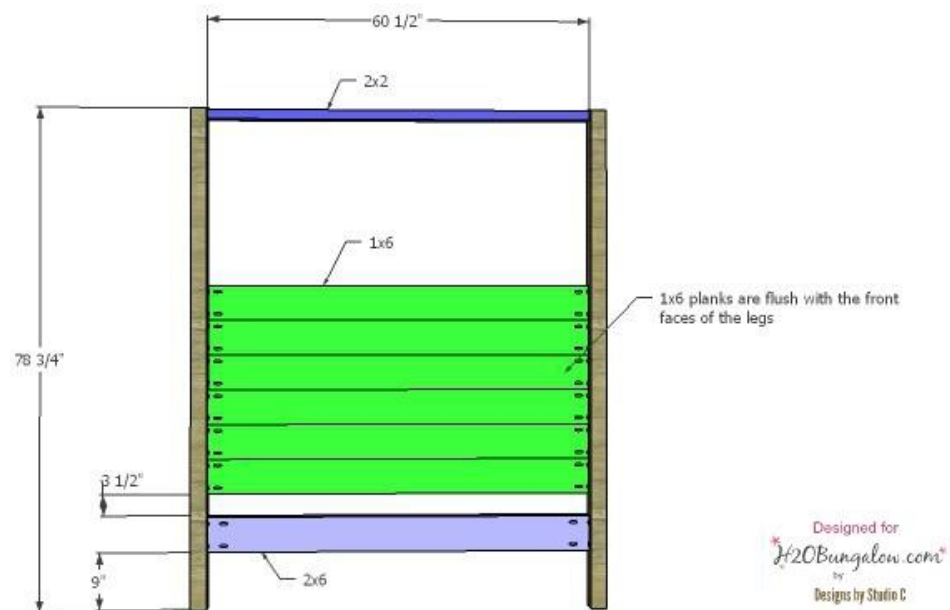
Cut, sand and finish all of the maple pieces. I choose to drill my pocket holes before finishing my wood.

Step One:

Assemble the headboard frame.

Set the pocket hole jig for 1 ½" material and drill pocket holes in each end of the upper rail and lower headboard plank. Secure the pieces to the bed post with glue and 2" pocket hole screws. The inside face of the lower headboard plank will be flush with the front of the bed post which is the side facing the mattress. Center the upper rail on the bedpost with the pocket holes facing out, and attach. To keep a consistent center placement for all the joined pieces on the bed posts, I cut a ¾" x 5" piece of wood as a guide. Example: lay the bedpost on the floor. Position the guide piece next to the bedpost

and position the upper rail on top of the guide. This will center the pieces perfectly while joining all of the pieces to the bedposts.



Step 2

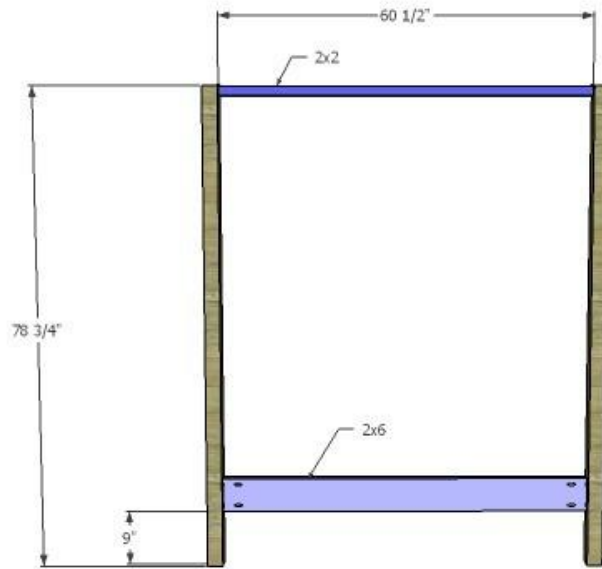
Install headboard planks.

Set the pocket hole jig for $\frac{3}{4}$ " material and drill pocket holes in each end of the headboard planks. Secure the planks to the bed posts using glue and $1 \frac{1}{4}$ " pocket hole screws on the back of the headboard

Step 3

Assemble the footboard frame.

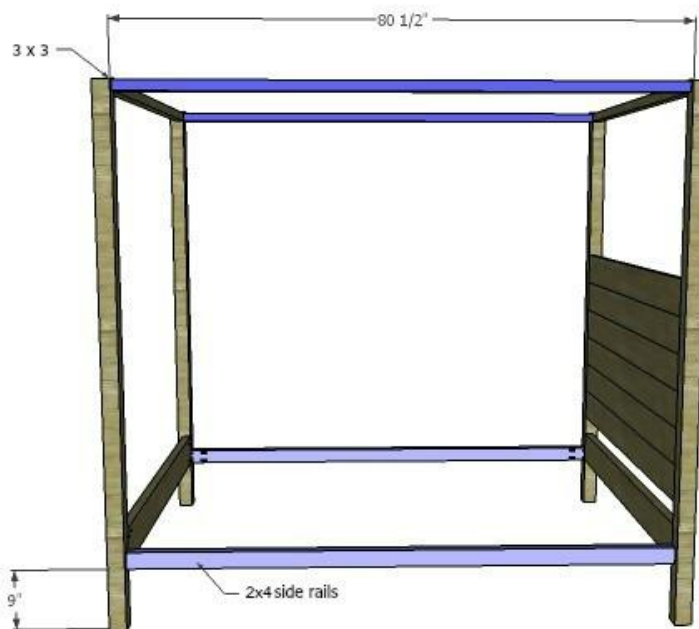
Set the pocket hole jig for $1 \frac{1}{2}$ " material. Drill pocket holes in each end of the top rail and footboard. Secure the pieces to the legs using glue and 2" pocket hole screws.



Designed for
H2OBungalow.com
 by
 Designs by Studio C

Step 4

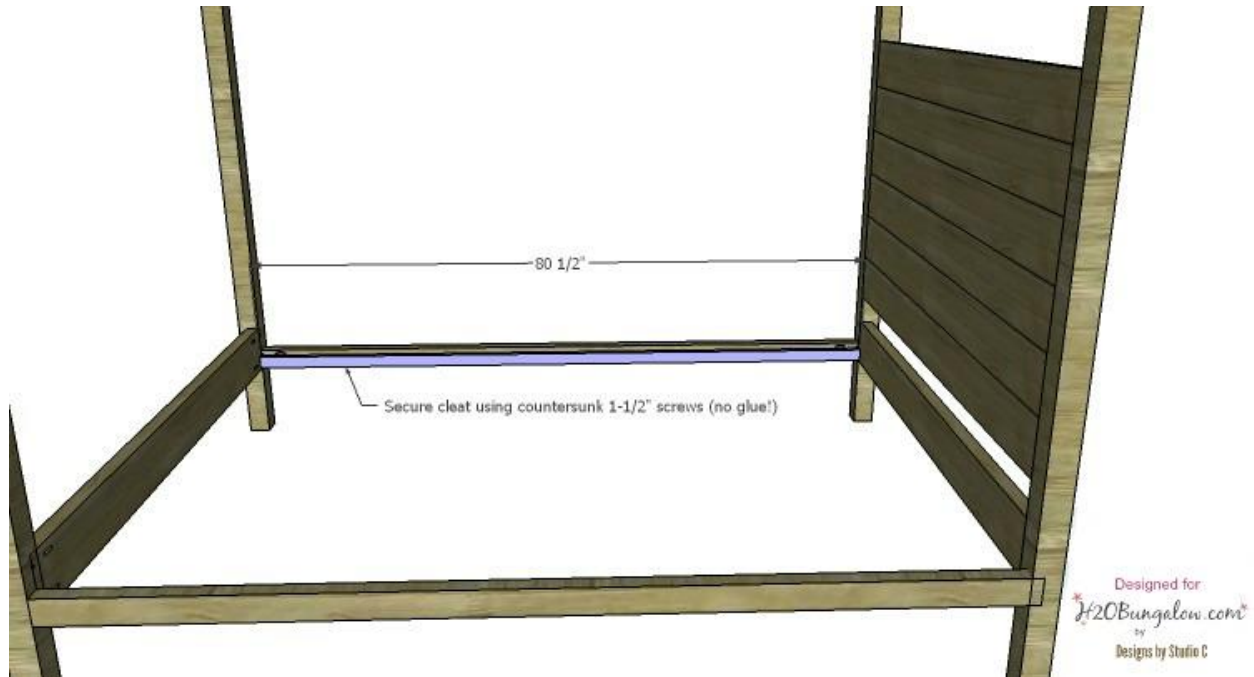
Attach the upper and lower side rails. Drill pocket holes in each end of the side rails and upper rails with the jig set to 1 1/2". Secure them to the bed posts using 2" pocket screws. Use the wood guide to position. Note: Do NOT use glue on this step in case the bed needs to be disassembled to move!



Designed for
H2OBungalow.com
 by
 Designs by Studio C

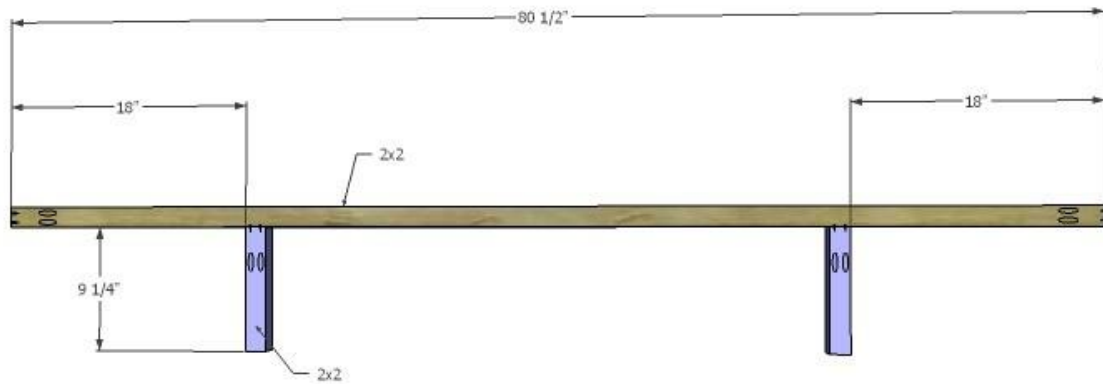
Step 5

Attach the slat cleats. Secure the cleats to the side rails using countersunk 1 ½" wood screws approximately every 12". The bottom edge of the cleat will be flush with the bottom edge of the side rail.



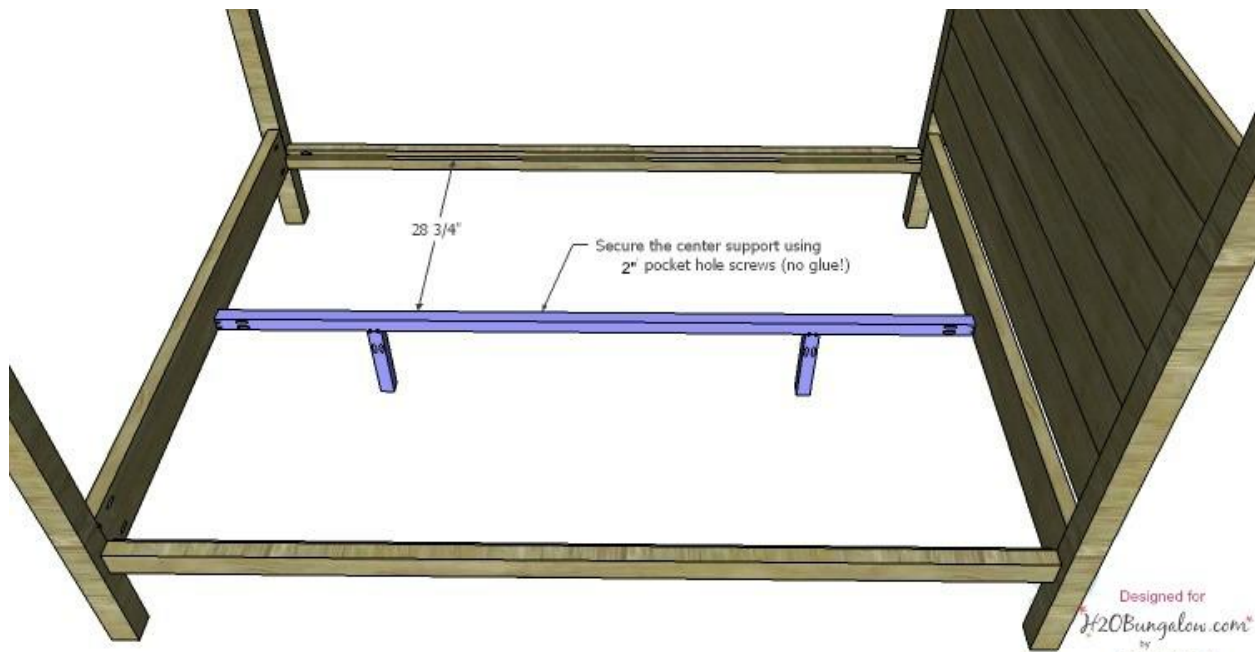
Step 6

Assemble and attach center support. Drill pocket holes in each end of the center 2" x 2" long support piece and one end only on each 2" x 2" center support leg. Secure the 2" x 2" legs to the center support using glue and 2" pocket hole screws 18" from each end of the support bar.



Designed for
H2OBungalow.com
 by
 Designs by Studio C

Secure the support to the headboard and footboard using 2" pocket hole screws. *Do not glue*



Designed for
H2OBungalow.com
 by
 Designs by Studio C

Step 7

Attach the slats. Cut the pieces for the slats. Place them approximately 2 1/2' apart and 3/4' from the headboard and footboard. Secure the slats using countersunk 1 1/4" screws. *Do not use glue*

